

REV	DATE	DESCRIPTION	ECO	BY	C'H'K.
A	12/1/2008 12:00:00 AM	REDRAW AND CATALOG NUMBER UPDATES	16630	MA	BSK

CATALOG NO.	CONDUCTOR		BOLT SIZE	FIG. NO.	DIMENSIONS								INSTALLATION TOOLING (# CRIMPS)											
	CODE (AWG)	NAVY			B ±.06	C ±.04	H REF.	K DIA. ±.02	L ±.09	N ±.04	O.D. ±.01	T REF.	Z MIN.	DIE INDEX	COLOR CODE	MECHANICAL			HYDRAULIC				DIELESS (# CRIMPS)	WIRE STRIP LENGTH
																MD7-34R MD6	OUR840	Y2MR	BCT500 Y500CT	Y34A	Y750 Y35, BAT35 Y39, BAT750	Y46		
YAZ2CTC38	#2 AWG. [-----]	60	1.25 [32]		--		2.40 [61]		.42 [11]			10	BROWN	W2CVT W2CRT (2)	W2CVT W2CRT (2)	-----	W2CVT W2CRT (2)	A2CR (2)	U2CRT (2)	U2CRT (2)	U2CRT (2)	MECHANICAL: MY29-11(1) HYDRAULIC Y644, Y644M BAT644M Y644MBH, Y1000 Y1000BH (1)	1-5/16	
YAZ2CTC3845			.60 [15]		1.42 [36]	.40 [10]	2.20 [56]	.41 [10]		.11 [3]	.42 [11]													
YAZ2CTC3890					1.74 [44]		1.14 [29]																	
YAZ2CTC12					--		2.65 [67]																	
YAZ2CTC1245			.73 [19]		1.41 [36]	.52 [13]	2.40 [61]	.53 [13]		.09 [2]	.55 [14]													
YAZ2CTC1290	#2 AWG. [-----]	60	1.25 [32]		1.70 [43]		1.37 [35]		.42 [11]			10	BROWN	W2CVT W2CRT (2)	W2CVT W2CRT (2)	-----	W2CVT W2CRT (2)	A2CR (2)	U2CRT (2)	U2CRT (2)	U2CRT (2)			

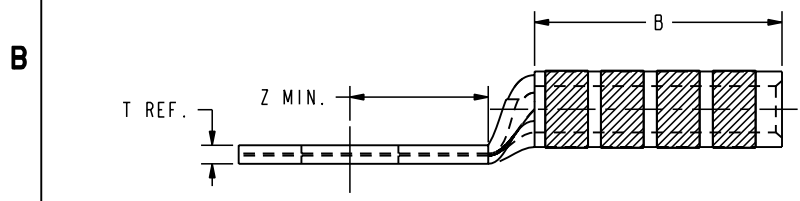
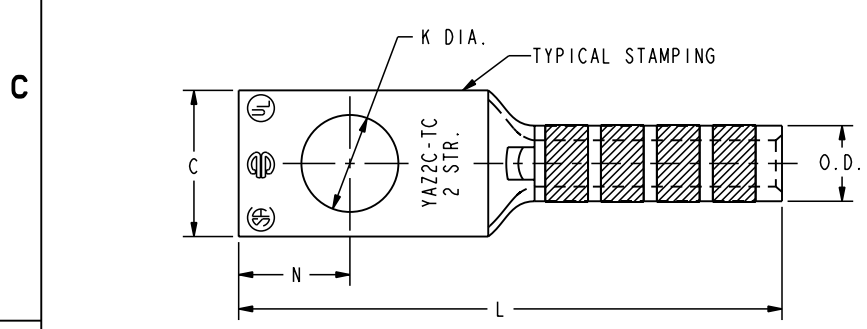


FIG. 1

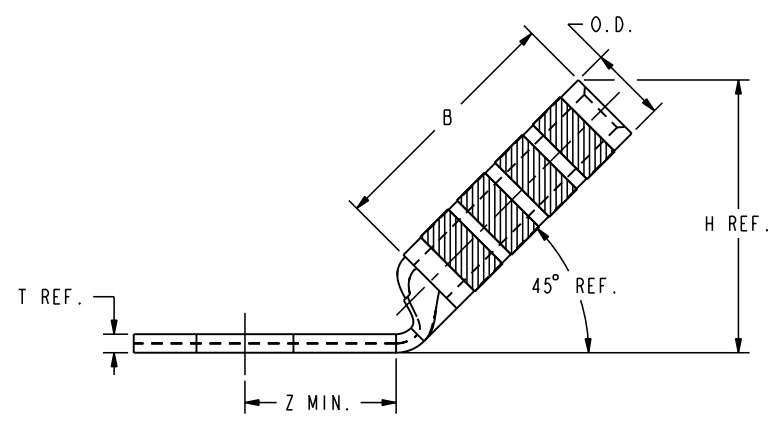
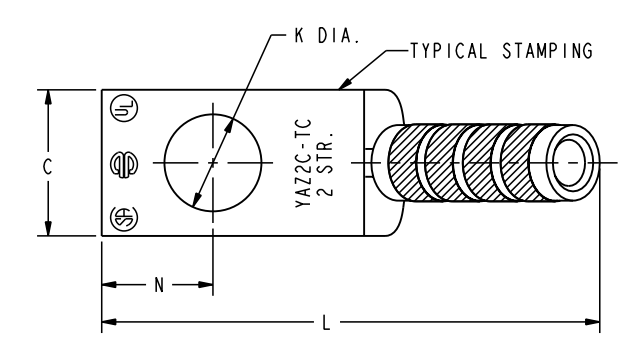


FIG. 2

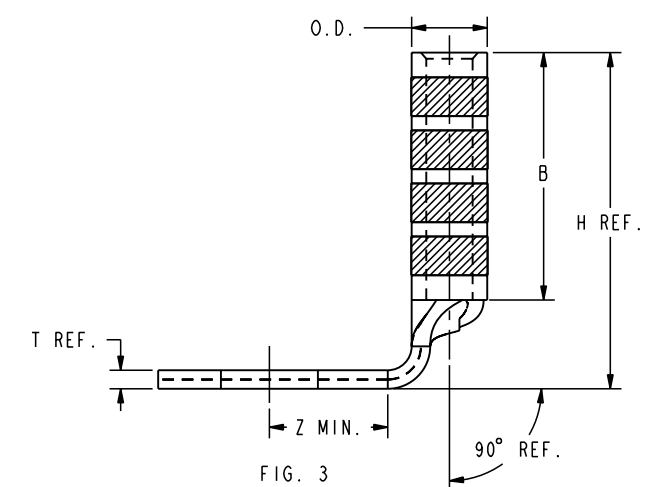
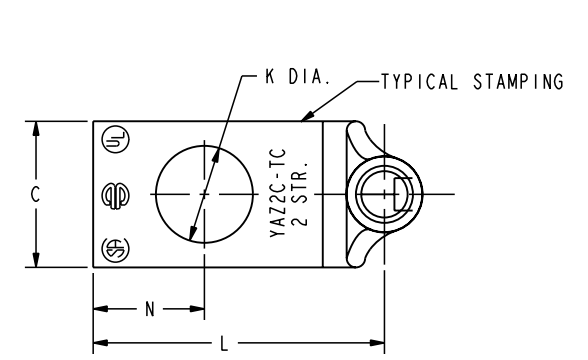


FIG. 3

NOTES:

- MATERIAL: COPPER TUBING.
- FINISH: TIN PLATED
- CATALOG # PT6515 ADAPTOR IS REQUIRED TO USE "U" DIES IN Y45 SERIES TOOLS.
- CATALOG # PUADP-1 ADAPTOR IS REQUIRED TO USE "U" DIES IN Y46 SERIES TOOLS.
- NAVY CABLE SIZE MAY BE OMITTED ON SOME SIZES BECAUSE OF SPACE LIMITATIONS.
- PERMANENT DIE IN TOOLING.
- DIMENSIONS, METRIC WIRE, & METRIC BOLT SIZES IN BRACKETS [] ARE IN MILLIMETERS. DIMENSIONS ARE ROUNDED OFF TO THE NEAREST MILLIMETER, UNLESS OTHERWISE NOTED, AND ARE FOR REFERENCE ONLY.
- FOR USE BY CUSTOMERS THAT HAVE THIS HYPRESS™. NO NEW Y34A HYPRESS™ TOOLS ARE BEING PROCESSED.

TO ORDER BURNDY® PRL	HYLUG™ (ONE HOLE CODE)		
	ITEM NO:	NA	
	CAT. NO:	YAZ2C-TC- (TABLE)	
	DRAWN BY:	D. BOISVERT 02/03/2000	
	CHECKER:	R. BOISVERT 01/10/2001	
	DSN APPVL:	J. MICHAUD 05/04/2000	
	MFG APPVL:	N/A	
	QA APPVL:	S. BROWN	
	MKT APPVL:	N/A	
	PROJ FAM:	---	SCALE:
PROJECT #:	---	DRAWING NO:	SE212356
DOCUMENT TYPE:	Sales	SIZE:	D
REL LEVEL:	Released	SHEET	12 OF 40
		REV	A

REV: PE0200